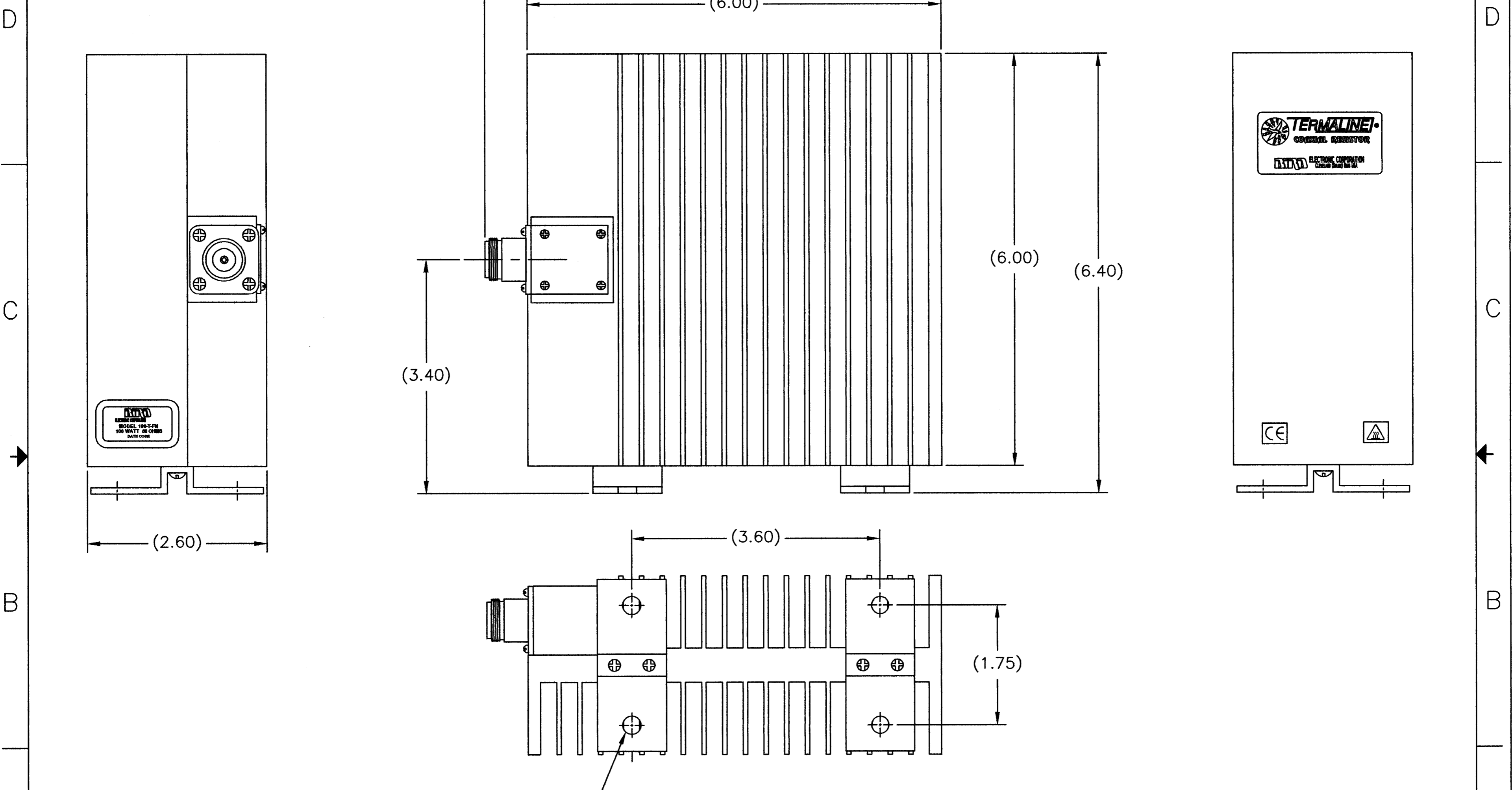



REVISIONS		DWG. NO.	100-T-FN	SHEET	REV
ZONE	REV	DESCRIPTION	DATE	1	B
	A	ECN #0048	3-27-96		<i>mmw</i>
	B	ECN #0264	9-14-00		<i>mmw</i>



IMPEDANCE: 50 OHMS NOMINAL
 FREQUENCY RANGE: DC TO 2.4GHz
 VSWR: 1.10:1 - DC TO 1 GHz
 1.25:1 - 1 GHz TO 2.4GHz
 POWER RATING: 100 WATTS MAX. @ 40 DEG. C.
 125 WATTS MAX. @ 25 DEG. C.
 COOLING FIN: ALUMINUM, BLACK ANODIZED
 HEAT SPREADER: ALUMINUM, TRI-ALLOY PLATED
 CONNECTOR: N-TYPE FEMALE, TRI-ALLOY PLATED

OTHER MOUNTING PATTERNS
AVAILABLE ON SPECIAL REQUEST

DIMENSIONS HEREON ARE FOR CUSTOMER
 CONVENIENCE AND REFERENCE ONLY.
 TOLERANCE TO BE APPLIED ONLY WHERE
 INDIVIDUALLY STATED ON THE RESPECTIVE
 DIMENSION. -DO NOT SCALE DRAWING-

UNLESS OTHERWISE SPECIFIED DIMENSIONS ARE IN INCHES TOLERANCES ARE: FRACTIONS DECIMALS ANGLES ± 1/64 .XX ± .010 ± 30'		MILLIMETERS .X = ± .4 .XX = ± .12		THIS DRAWING IS THE PROPERTY OF THE BIRD ELECTRONIC CORPORATION. THE DESIGNS AND SPECIFICATIONS DISCLOSED HEREON ARE PROPRIETARY AND SHALL NOT BE REPRODUCED, NOR COPIED, NOR USED AS THE BASIS FOR THE MANUFACTURE OR SALE OF APPARATUS OR DEVICES WITHOUT THEIR EXPRESS WRITTEN CONSENT.		 BIRD Electronic Corporation Cleveland (Solon) Ohio USA	
DO NOT SCALE DRAWING		APPROVALS		DATE		TITLE	
MATERIAL		DRAWN		11-8-02		TERMINATION, CONVECTION COOLED, 100W	
FINISH		CHECKED		APPROVED		DATE	
		<i>MARKV</i>		1-13-03		AUTOCAD	
		SCALE		1:1		COMM CODE	
		LD1		SHEET		1 OF 1	
		SIZE		C		FSCM NO.	
		70998		DWG. NO.		100-T-FN	
		REV		B			